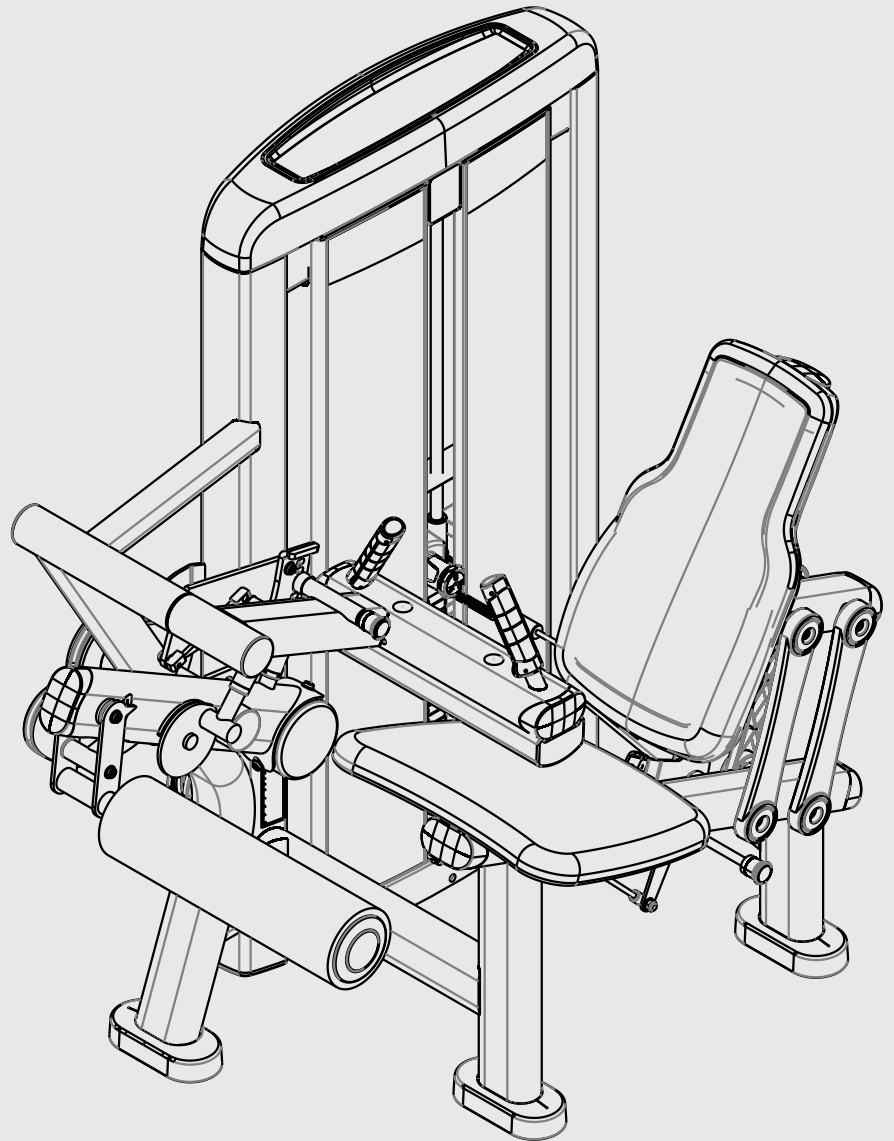


INSIGNIA SERIES  
SEATED LEG CURL  
SS-SLC  
PARTS MANUAL



# Insignia Series Seated Leg Curl

## Contents

---

Options and Key .....	3
Powder Coat Painted Frame Weldments .....	4
Component Assembly .....	5
Component Assembly II .....	6
Component Assembly III .....	7
Component Assembly IV .....	8
Labels .....	9
Table .....	10
Tower Plastics .....	11
Shroud Wraps .....	12
Weight Stack Assemblies .....	13
T Trim Head Plate and Drop Down Increment Weights .....	14
C and X Trim Stack Components .....	15
C and X Trim Head Plate Assemblies .....	16
C and X Trim Incremental Weights .....	17
Grip Assemblies .....	18
Sensor Assemblies .....	19

# Insignia Series Seated Leg Curl

## Options and Key

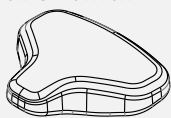
### FRAME OPTION

SELECT POWDERCOAT COLOR

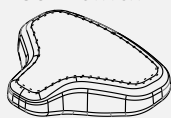
- WHITE
- PLATINUM
- BLACK
- MIDNIGHT METALLIC
- NICKEL
- ICE BLUE METALLIC
- RED
- BLUE
- YELLOW
- CANDY APPLE RED
- ELECTRIC BLUE
- CHARCOAL
- MOCHA SAND
- TITANIUM
- DIAMOND WHITE
- CUSTOM

### UPHOLSTERY OPTION

SINGLE STITCH



DOUBLE STITCH



SELECT UPHOLSTERY COLOR

- BLACK
- ROYAL BLUE
- SLATE
- CRANBERRY
- NORTHWOODS GREEN
- SPACE BLUE
- AMERICAN BEAUTY RED
- SUEDE
- HUNTER GREEN
- REGIMENTAL BLUE
- CONCORD
- TURQUOISE
- CROCUS
- AZURE
- WHEAT
- GRAPHITE
- GROTTO
- JADE
- EMERALD
- CANDLY APPLE RED
- BURGUNDY
- PLUM
- NAVY
- IMPERIAL BLUE
- CHESTNUT
- PAPRIKA
- TERRA COTTA
- DOVE GRAY
- PUTTY
- GUN METAL
- CUSTOM

### LANGUAGE OPTION

SELECT LANGUAGE

- 01 ENGLISH
- 02 GERMAN
- 03 FRENCH
- 04 SPANISH
- 05 ITALIAN
- 06 DUTCH
- 07 JAPANESE
- 08 PORTUGUESE
- 10 RUSSIAN
- 11 TURKISH
- 12 CHINESE
- 13 ARABIC

### WEIGHT STACK OPTION

- T - BASE STACK
- C - LIGHT STACK
- X - HEAVY STACK
- POUNDS
- KILOGRAMS

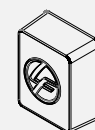
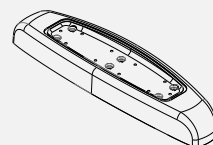
### SHROUD WRAP OPTION

- FULL SHROUD
- BAMBOO
- SKY
- BRONZE
- STEM
- ROSEWOOD
- STAINLESS STEEL

### TRIM OPTION

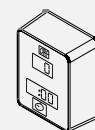
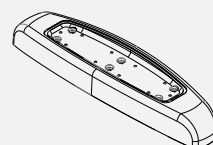
S

PLASTIC TOWER CAP  
STANDARD GRIP  
NO REP COUNTER



L

PAINTED CAST TOWER CAP  
ERGO GRIP  
REP COUNTER



### KEY

LANGUAGE ① ② ③

Items with Black call-outs require the last two digits (XX) to be replaced with language codes listed above. IE: 12345XX should be 1234501 for English.

UPHOLSTERY ① ② ③

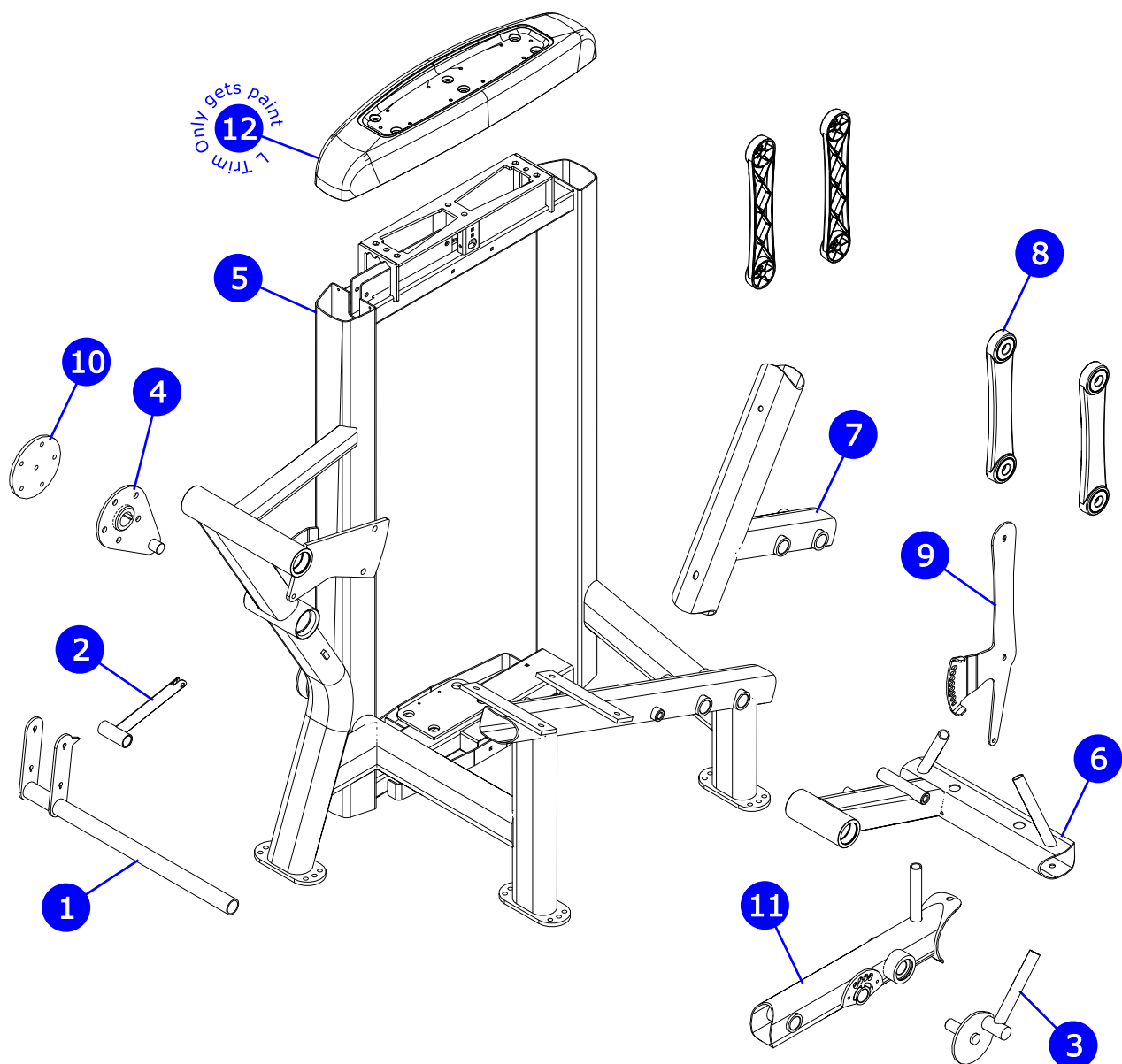
Items with Gray call-outs require the upholstery color within the order notes. IE: Putty.

FRAME COLOR ① ② ③

Items with Blue call-outs require the powder coat frame color to be within the order notes.

# Insignia Series Seated Leg Curl

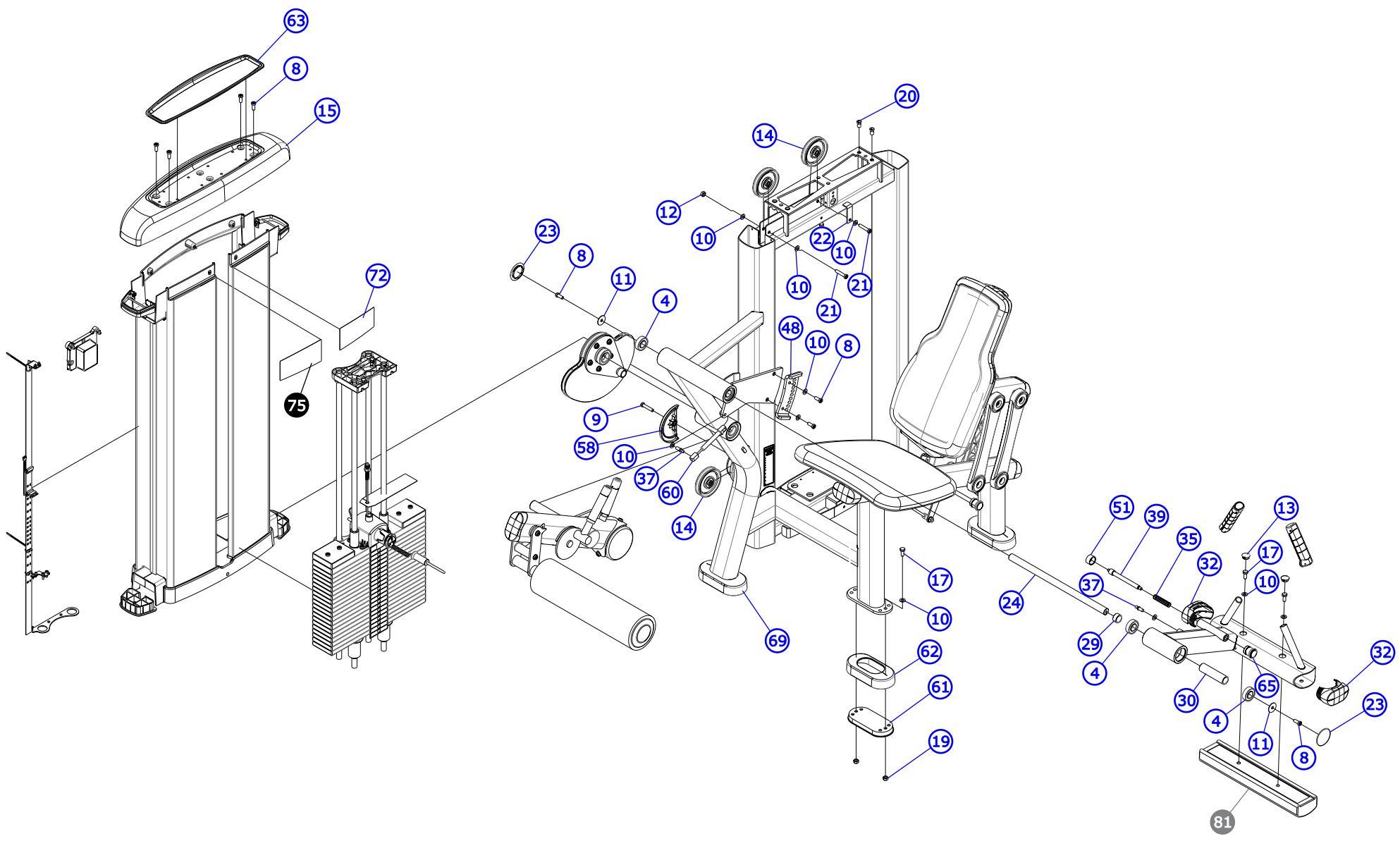
## Powder Coat Painted Frame Weldments



ITEM NO.	QTY.	PART NO.	DESCRIPTION	TRIM
1	1	7321999	WLDMT, FZLE/SLC, ROLLER PAD SPVRT	S L
2	1	7324599	WLDMT, FZLE, TIBIA ADJ LINK	S L
3	1	7482599	WLDMT, FZSLC, TIBIA ADJ HANDLE	S L
4	1	7483099	WLDMT, FZSLC, CAM SPVRT	S L
5	1	POSSIBLE RMA	WLDMT, SS-SLC, FRAME	S L
6	1	9454699	WLDMT, SS-SLC, THIGH SPVRT	S L
7	1	9458599	WLDMT, SS, BACK PAD SPVRT	S L
8	4	9439199	LINK, SS, SEAT BACK	S L
9	1	9453899	PLATE, SS-SLC/LE BACK ADJ	S L
10	1	7329199	PLATE, CAM COVER	S L
11	1	7482499	WLDMT, FZSLC, PIVOT ARM	S L
12	1	9412699	CAP, SS, CAST	- L

**ITEMS ON THIS PAGE ARE POWDER COAT PAINTED. REFER TO PAGE 3 FOR ORDERING INSTRUCTIONS.**

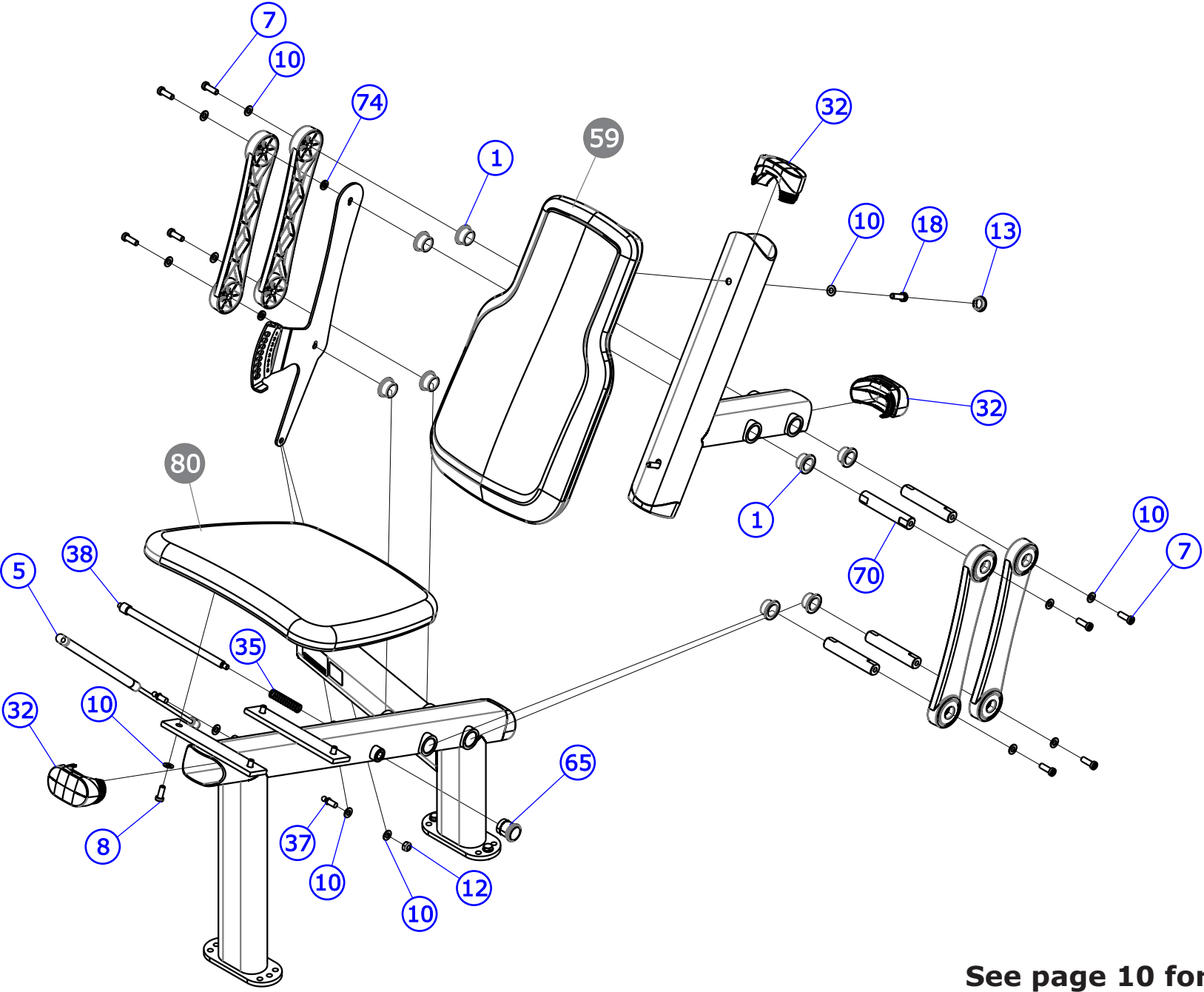
# Insignia Series Seated Leg Curl Component Assembly



See page 10 for table

# Insignia Series Seated Leg Curl

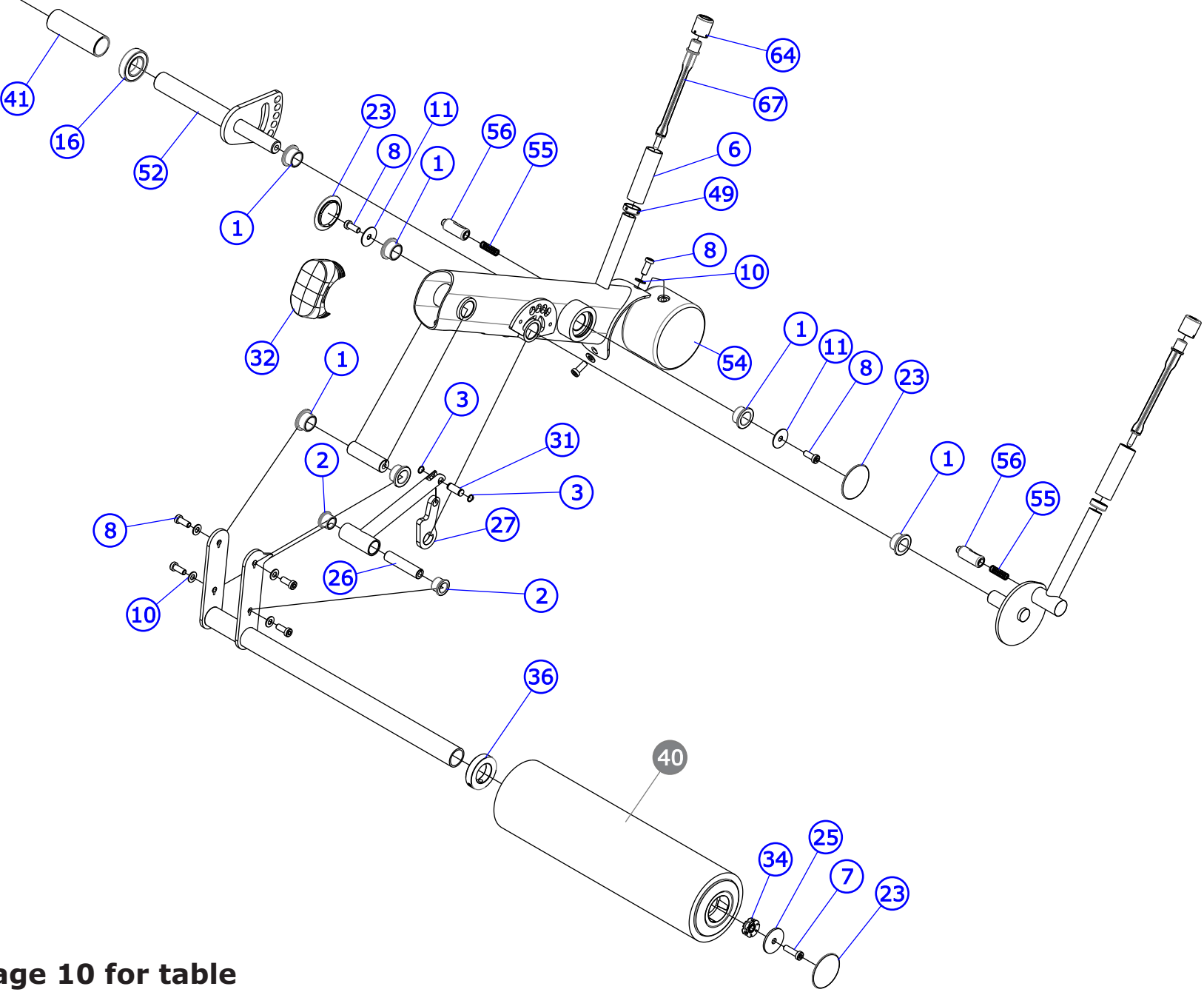
## Component Assembly II



See page 10 for table

# Insignia Series Seated Leg Curl

## Component Assembly III

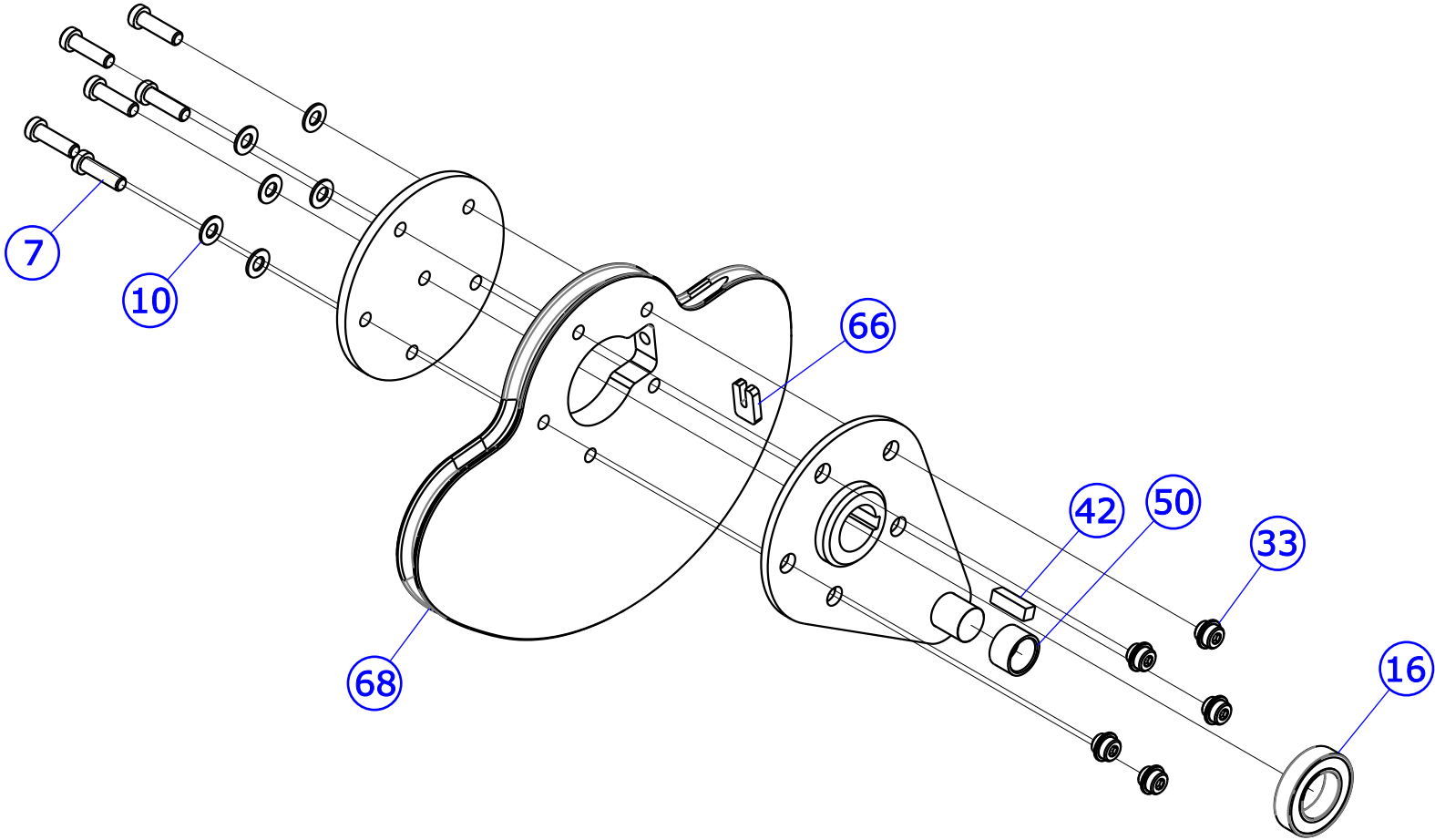


See page 10 for table

# Insignia Series Seated Leg Curl

## Component Assembly IV

---

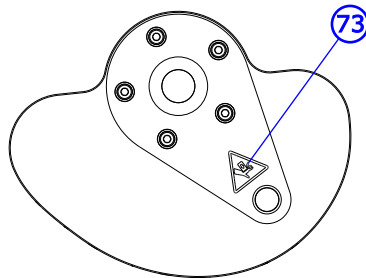
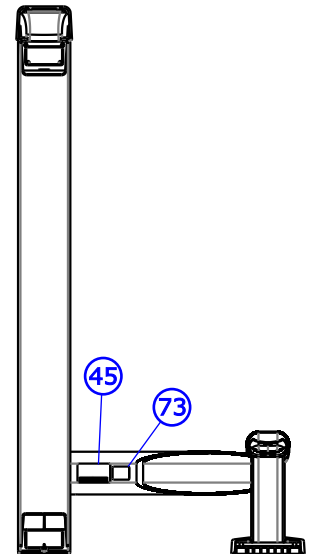
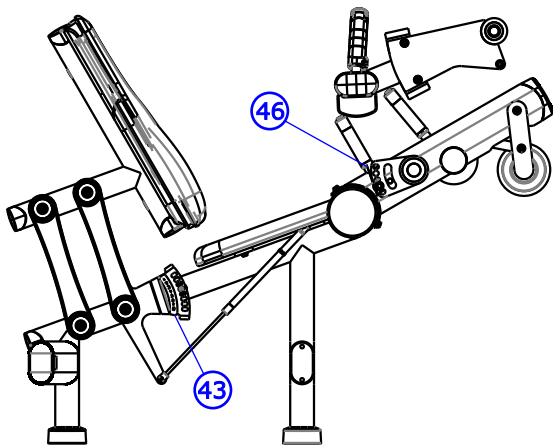
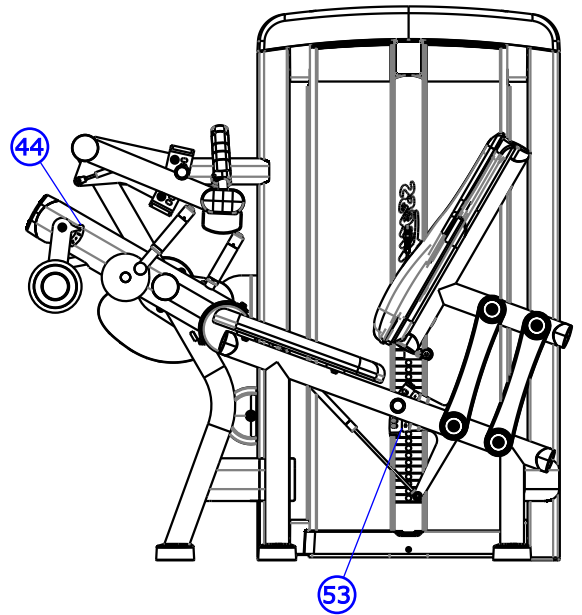
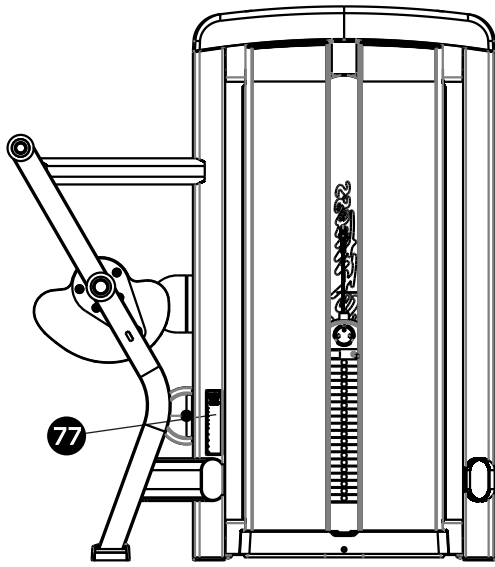


See page 10 for table



# Insignia Series Seated Leg Curl Labels

---

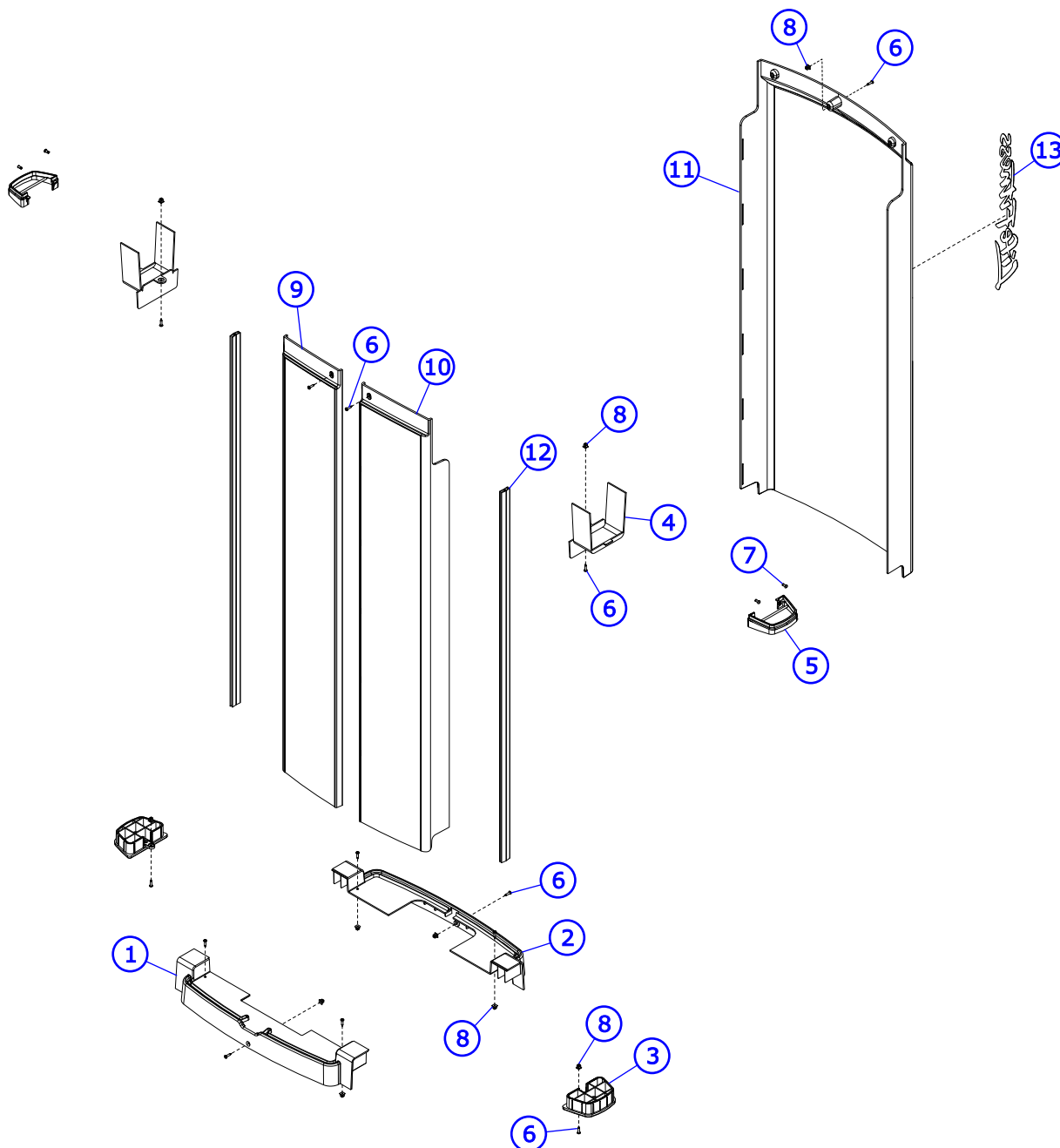


**See page 10 for table**

# Insignia Series Seated Leg Curl Table

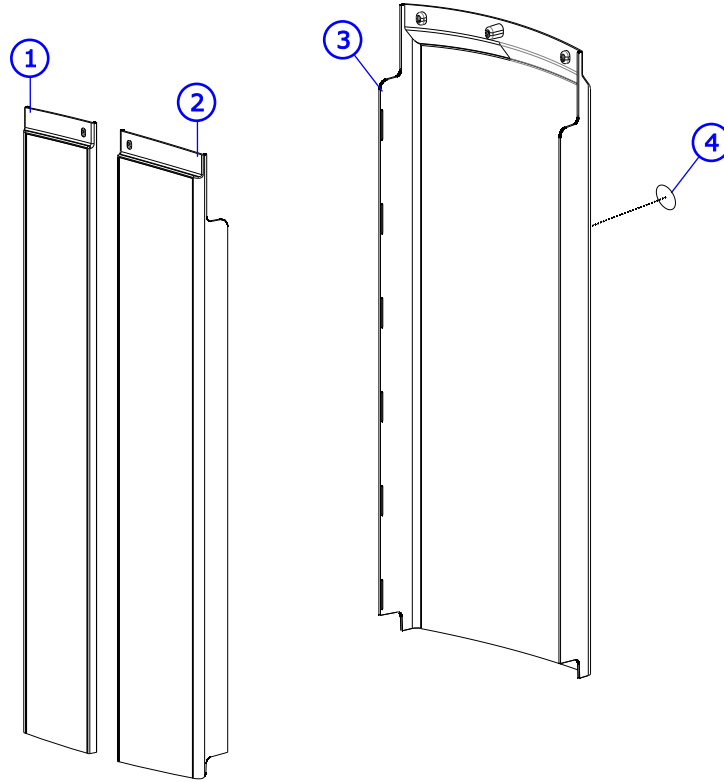
ITEM NO.	QTY.	PART NO.	DESCRIPTION	TRIM
1	14	3104903	1.00" ID 1.25" OD BRONZ BUSHING	S L
2	2	3104901	.75" ID 1.00" OD BRONZE BUSHING	S L
3	2	3232409	RING, RETAINING, EXTERNAL	S L
4	4	3235601	BEARING, 6205 BALL	S L
5	1	3235701	SPRING, GAS 150N	S L
6	2	3235806	GRIP, 1.25 OD X .125 WALL OPEN END	S L
7	9	3236204	SCREW, M10 X1.5 35MM	S L
8	20	3236202	SCREW, M10 X1.5 25MM	S L
9	1	3236207	SCREW, M10 X1.5 50MM	S L
10	46	3236601	WASHER, 3/8 SAE SS	S L
11	4	3236701	WASHER, FENDER 3/8" ID X 1.5" OD SS	S L
12	4	3236801	NUT, M10 HEX NYLOCK SS	S L
13	4	3237407	PLUG, 1" HOLE	S L
14	3	3319901	PULLEY, 3/16 IN CABLE (T2), 4.5 IN OD	S L
15	1	3436701	CAP, TOWER, TOP, PLASTIC	S -
16	2	3243201	BEARING, 6007 BALL	S L
17	8	3251202	SCREW, M10 X1.5 X 25MM UNS HEX CS ST ZN	S L
18	2	3251204	SCREW, M10 X1.5 X 35MM UNS HEX CS ST ZN	S L
19	6	3254703	NUT, M10 X 1.5 HEX ZINC	S L
20	4	3275401	M10X1.5 BLIND THREADED INSERT (HEX) -HVY	S L
21	2	3275507	SCREW, M10 X 1.5 X 50 SHCS, LOW HEAD -NO PATCH	S L
22	1	3275701	CLIP, CABLE 2-7/8 X 1 X 1	S L
23	5	3308702	CAP, BEARING HOUSING	S L
24	1	7316505	SHAFT, 25MM X 19.500	S L
25	1	7323301	PLATE, 1.97 OD X .44 ID 10GA	S L
26	1	7324801	SHAFT, TAPPED 0.75 DIA X 3.330	S L
27	1	7329601	PLATE, TIBIA LINK	S L
28	1	7330007	SPACER, INTERNAL X 11.765	S L
29	1	7330002	SPACER, INTERNAL X .653	S L
30	1	7330004	SPACER, INTERNAL X 4.765	S L
31	1	7331702	SHAFT, PIVOT X 1.040	S L
32	8	7333902	CAP, LARGE FLOV- END	S L
33	8	7335401	NUT, M10 X 1.5 SOCKET HEAD	S L
34	1	7347301	NUT, SPIDER M10 X 1.5	S L
35	2	7351501	SPRING, PULL PIN LARGE	S L
36	1	7357901	SHAFT COLLAR, 1-1/2" ID ALUM	S L
37	4	7414301	STUD, M10 BALL END M10 X 1.5	S L
38	1	7425101	PIN, PULL X 12.25	S L
39	1	7425102	PIN, PULL X 6.75	S L
40	1	1000018-0099	ASSY, ROLLER PAD LONG BLK, SNGL STITCH	S L
		1000018-0099	ASSY, ROLLER PAD LONG CUS, SNGL STITCH	S L
41	1	7511504	SPACER, FZ/PS INTERNAL 4.845	S L
42	1	7511601	KEY, .375 SQUARE X 1.25	S L
43	1	7524102	LABEL, 1-8 CURVED -CHR	S L
44	1	7524202	LABEL, S-XL CURVED -CHR	S L
45	1	-	LABEL, SERIAL NUMBER, BLANK	S L
46	1	7589902	LABEL, 3- -1 STRAIGHT -CHR	S L
47	1	7630101	RETAINER, CM/MJ, PULLEY	S L
48	1	7658101	PLATE, FRMD .375 FZSLC	S L
49	2	7662801	RING, GRIP 1.25 OD	S L
50	1	7690103	BUMPER, SLEEVE - 1 INCH DIA	S L
51	1	7690202	BUMPER, SLEEVE - 1.125 INCH DIA	S L
52	1	774801	WLDMT, FZSLC/BE ADJ START	S L
53	1	7794302	LABEL, 1-8 CURVED INSIDE -CHR	S L
54	1	7801902	COUNTER WEIGHT, SMALL - COATED	S L
55	2	8024501	SPRING, 1/2 OD X 1-1/2	S L
56	2	8032401	PIN, PUSH	S L
57	1	8033501	LABEL, WARNING, TRIANGLE	S L
58	2	8094102	COVER, PULLEY-BOLTED PARTIAL -CHGR	S L
59	1	1000018-0099	PAD, LARGE BACK BLK, SNGL STITCH	S L
		1000018-0099	PAD, LARGE BACK CUS, SNGL STITCH	S L
		1000018-0099	PAD, LARGE BACK BLK, DBL STITCH	S L
		1000018-0199	PAD, LARGE BACK CUS, DBL STITCH	S L
60	1	9473201	SPRING, GAS, EXTENSION	S L
61	3	9319301	FOOT, 2.50 X 4.49 FLOV	S L
62	2	9319401	COVER, FOOT - STRAIGHT	S L
63	1	9411201	TRAY, TOWER TOP CAP	S L
64	2	9452901	ASSY, SELECTOR CAP	S L
65	2	9454703	KNOB, ADJ	S L
66	1	9454901	PLATE, CABLE END, T2	S L
67	2	9455303	ROD, PUSH PIN	S L
68	1	9458101	CAM, SS, SLC	S L
69	1	9461401	COVER, FOOT - 20 deg	S L
70	4	9472902	SHAFT, TAPPED 1 DIA X 5.330	S L
71	1	7324901	SHAFT, TAPPED 1 DIA X 3.330	S L
72	1	9477501	LABEL, SS-SLC PLACARD, RH	S L
73	1	9488901	LABEL, INSIGNIA, FCC	S L
74	2	9486801	WASHER, 10.5 ID X 19 OD	S L
75	1	9465999	LABEL, SS-SLC PLACARD, LH	S L
76	6	3236205	SCREW, M10 X1.5 40MM	S L
77	1	8220099	LABEL, ASTM, SELECT VERT	S L
80	1	1000018-0099	PAD, SEAT LE/SLC BLK, SNGL STITCH	S L
		1000018-0099	PAD, SEAT LE/SLC CUS, SNGL STITCH	S L
		1000004-0101	PAD, SEAT LE/SLC BLK, DBL STITCH	S L
		1000004-0199	PAD, SEAT LE/SLC CUS, DBL STITCH	S L
81	1	1000007-0099	PAD, KNEE BLK, SNGL STITCH	S L
		1000007-0101	PAD, KNEE CUS, SNGL STITCH	S L
		1000007-0101	PAD, KNEE BLK, DBL STITCH	S L
		1000007-0199	PAD, KNEE CUS, DBL STITCH	S L

# Insignia Series Seated Leg Curl Tower Plastics



ITEM NO.	QTY.	PART NO.	DESCRIPTION
1	1	9410801	COVER, TOWER BOTTOM - FRONT
2	1	9411001	COVER, TOWER BOTTOM - REAR
3	2	9412701	ASSY, TRAP TUBE, CAP, BOTTOM
4	2	9415701	COVER, UPPER CROSS MEMBER
5	2	9415801	GASKET, TRAP TUBE
6	13	3275801	SCREW, 8 X 3/4 DIN PHL PAN AB ST ZB
7	4	0017-00101-1587	RVT 201X0413X.354 T NY NO
8	11	0017-00042-1147	GROMMET: SCREW; 8 OR 10
9	1	9410601	SHROUD, TOWER FRONT, LT - SHORT
10	1	9410701	SHROUD, TOWER FRONT, RT - SHORT
11	1	9411101	SHROUD, TOWER REAR - SHORT
12	2	9414601	SHROUD EXTRUSION - SHORT
13	1	9489101	LABEL, LIFE FITNESS

# Insignia Series Seated Leg Curl Shroud Wraps

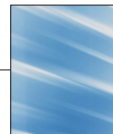


ITEM	QTY.	PART NO.	DESCRIPTION
1	1	9511802	SHROUD, SS, FNT, LT, SRT-BAM
2	1	9511702	SHROUD, SS, FNT, RT, SRT-BAM
3	1	9511902	SHROUD, SS, REAR, SRT-BAM
4	1	AK58-00245-2401	MEDALLION-ASSY;LF-BUG B



BAMBOO

ITEM	QTY.	PART NO.	DESCRIPTION
1	1	9511803	SHROUD, SS, FNT, LT, SRT-SKY
2	1	9511703	SHROUD, SS, FNT, RT, SRT-SKY
3	1	9511903	SHROUD, SS, REAR, SRT-SKY
4	1	AK58-00245-2401	MEDALLION-ASSY;LF-BUG B



SKY

ITEM	QTY.	PART NO.	DESCRIPTION
1	1	9511804	SHROUD, SS, FNT, LT, SRT-BRZ
2	1	9511704	SHROUD, SS, FNT, RT, SRT-BRZ
3	1	9511904	SHROUD, SS, REAR, SRT-BRZ
4	1	AK58-00245-2401	MEDALLION-ASSY;LF-BUG B



BRONZE

ITEM	QTY.	PART NO.	DESCRIPTION
1	1	9511805	SHROUD, SS, FNT, LT, SRT-STM
2	1	9511705	SHROUD, SS, FNT, RT, SRT-STM
3	1	9511905	SHROUD, SS, REAR, SRT-STM
4	1	AK58-00245-2401	MEDALLION-ASSY;LF-BUG B



STEM

ITEM	QTY.	PART NO.	DESCRIPTION
1	1	9511806	SHROUD, SS, FNT, LT, SRT-RSW
2	1	9511706	SHROUD, SS, FNT, RT, SRT-RSW
3	1	9511906	SHROUD, SS, REAR, SRT-RSW
4	1	AK58-00245-2401	MEDALLION-ASSY;LF-BUG B



ROSEWOOD

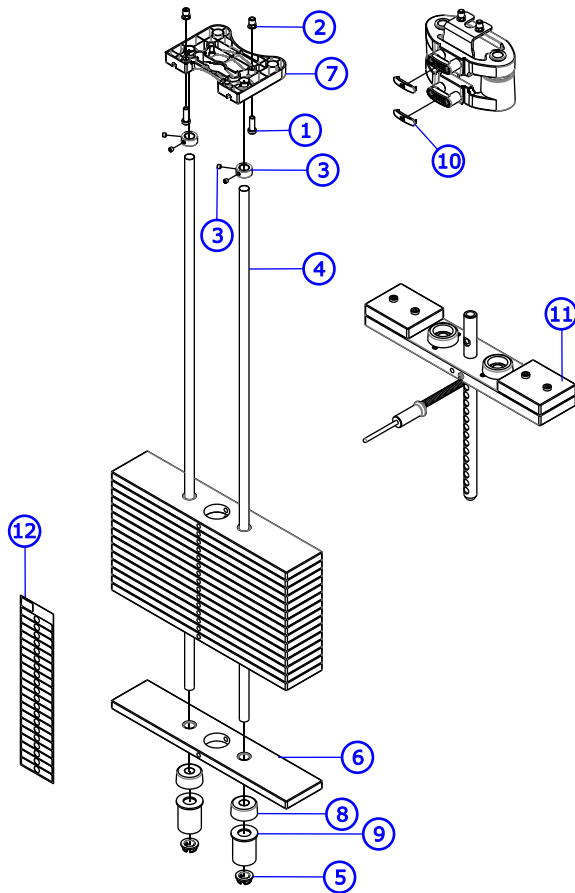
ITEM	QTY.	PART NO.	DESCRIPTION
1	1	9511807	SHROUD, SS, FNT, LT, SRT-SS
2	1	9511707	SHROUD, SS, FNT, RT, SRT-SS
3	1	9511907	SHROUD, SS, REAR, SRT-SS
4	1	AK58-00245-2401	MEDALLION-ASSY;LF-BUG B



STAINLESS STEEL

# Insignia Series Seated Leg Curl Weight Stack Assemblies

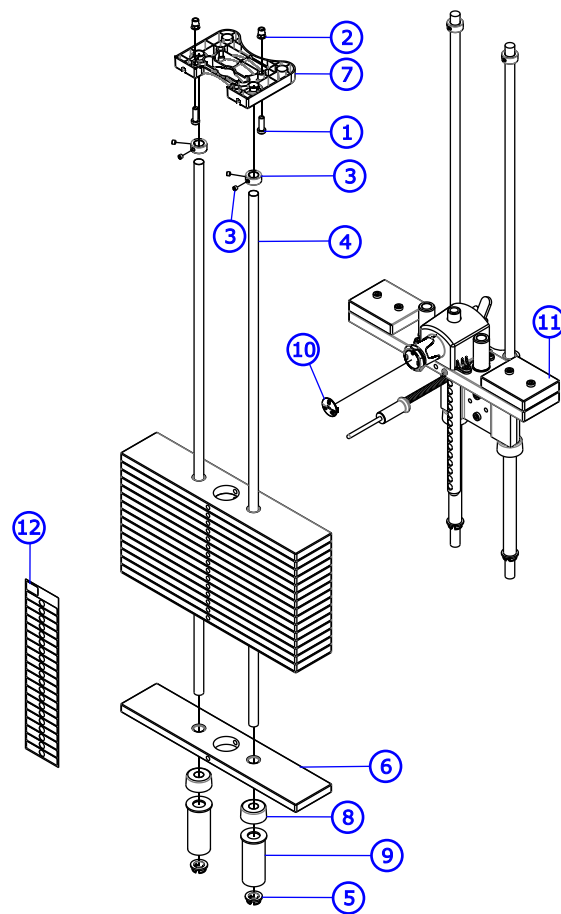
## T - Base



Uses Cable **9423901** (111.0")

ITEM NO.	QTY.	PART NO.	DESCRIPTION
1	2	9236203	SCREW, M10 X1.5 30MM
2	2	9238601	M10X1.5 BLIND THREADED INSERT (HEX)
3	2	9103301	SHAFT COLLAR, 3/4 I.D. ZINC
4	2	9286612	GUIDE ROD, .75 OD SOLID 50.36
5	2	9337901	BUSHING, GUIDE ROD
6	16	9407601	WGT PL, 3/4IN X 4IN, 15 LB
7	1	9412801	RETAINER, GUIDE ROD - TOP
8	2	9352101	CUSHION, WEIGHT STACK
9	2	9495913	WLDMT, WGT STK SPACER X 3.00 -CHR
10	1	9462303	CAP, DD INC WGT, YEL -LBS
		9462403	CAP, DD INC WGT, YEL -KG
11	1	SEE PAGE 14	ASSY, SS-SLC/TP, HEAD PLATE, STD -16
12	1	9475301	LABEL, 3/4 IN WGT STACK, 295 LB
		9475201	LABEL, 3/4 IN WGT STACK, 147.5 KG

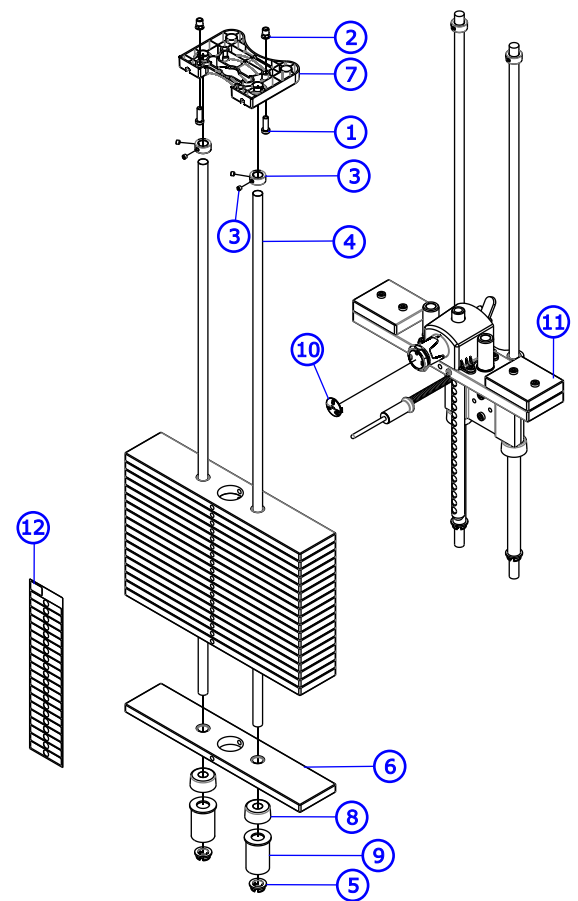
## C - Light



Uses Cable **9423902** (108.75")

ITEM NO.	QTY.	PART NO.	DESCRIPTION
1	2	9236203	SCREW, M10 X1.5 30MM
2	2	9238601	M10X1.5 BLIND THREADED INSERT (HEX)
3	2	9103301	SHAFT COLLAR, 3/4 I.D. ZINC
4	2	9286612	GUIDE ROD, .75 OD SOLID 50.36
5	2	9337901	BUSHING, GUIDE ROD
6	16	9407601	WGT PL, 3/4IN X 4IN, 15 LB
7	1	9412801	RETAINER, GUIDE ROD - TOP
8	2	9352101	CUSHION, WEIGHT STACK
9	2	9495915	WLDMT, WGT STK SPACER X 5.25 -CHR
10	1	9431403	CAP, SELECTOR KNOB -LBS
		9450103	CAP, SELECTOR KNOB -KGS
11	1	SEE PAGE 15	ASSY, SS, INC WGT, DIAL, STD -16
12	1	9475301	LABEL, 3/4 IN WGT STACK, 295 LB
		9475201	LABEL, 3/4 IN WGT STACK, 147.5 KG

## X - Heavy



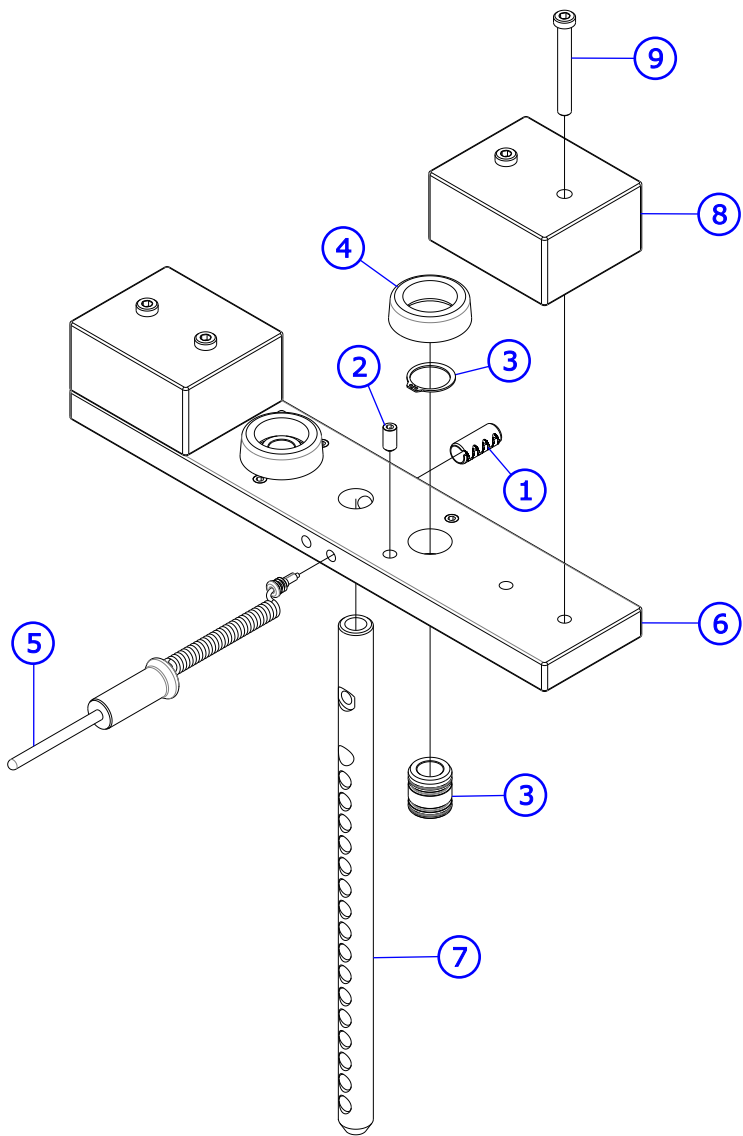
Uses Cable **9423902** (108.75")

ITEM NO.	QTY.	PART NO.	DESCRIPTION
1	2	9236203	SCREW, M10 X1.5 30MM
2	2	9238601	M10X1.5 BLIND THREADED INSERT (HEX)
3	2	9103301	SHAFT COLLAR, 3/4 I.D. ZINC
4	2	9286612	GUIDE ROD, .75 OD SOLID 50.36
5	2	9337901	BUSHING, GUIDE ROD
6	19	9407601	WGT PL, 3/4IN X 4IN, 15 LB
7	1	9412801	RETAINER, GUIDE ROD - TOP
8	2	9352101	CUSHION, WEIGHT STACK
9	2	9495913	WLDMT, WGT STK SPACER X 3.00 -CHR
10	1	9431403	CAP, SELECTOR KNOB -LBS
		9450103	CAP, SELECTOR KNOB -KGS
11	1	SEE PAGE 15	ASSY, SS, INC WGT, DIAL, HVY -19
12	1	9475301	LABEL, 3/4 IN WGT STACK, 295 LB
		9475201	LABEL, 3/4 IN WGT STACK, 147.5 KG

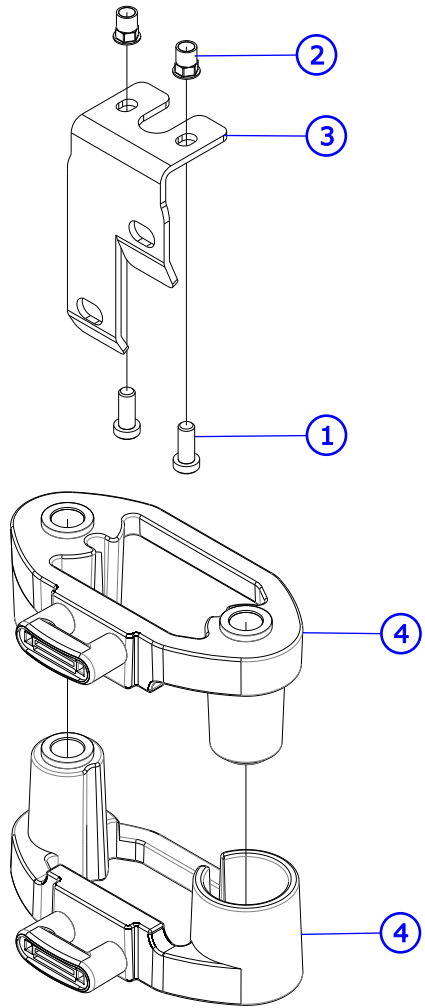
# Insignia Series Seated Leg Curl

## T Trim Head Plate and Drop Down Increment Weights

### T Trim



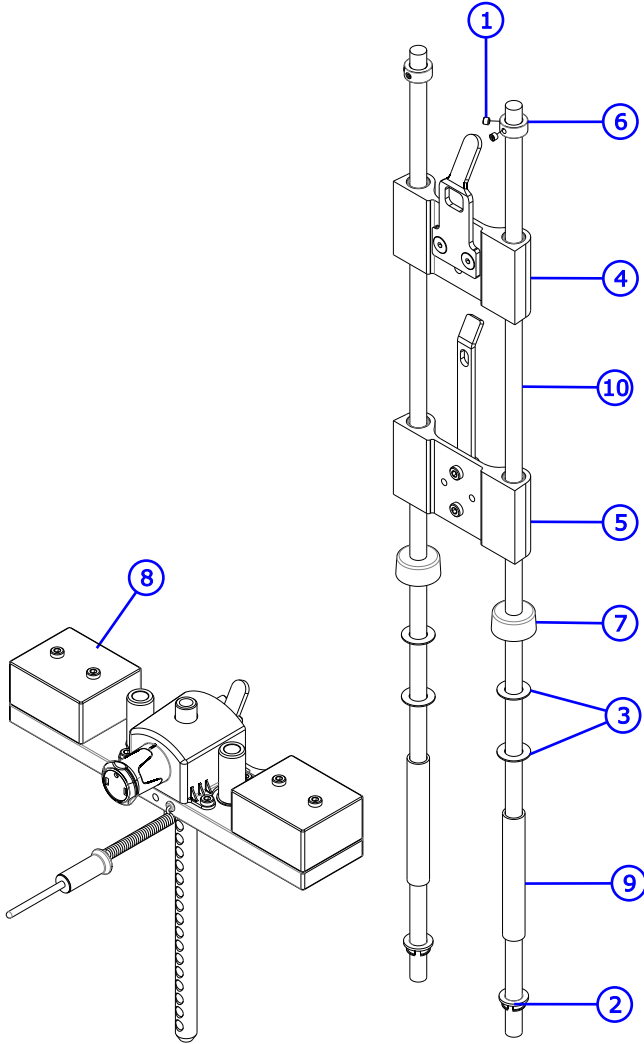
ITEM NO.	QTY.	PART NO.	DESCRIPTION
1	1	9236001	BUSHING, SPRING PIN
2	4	9240501	M10 X 1.5 HXS NO CUP ST BO
3	2	9338001	BUSHING, HEADPLATE
4	2	9767602	BUMPER, INCREMENT WT -BLK
5	1	9427003	ASSY, WGT STK SELECTOR PIN -YELLOW
6	1	9431101	HEADPLATE, WT. STACK, 20LB
7	1	9434202	BAYONET, 16 PLATE
8	2	9433301	COUNTER WEIGHT, HEAD PLATE, 5LB
9	4	9236206	M10 X 1.5 X 45 SHCS, LOW HEAD



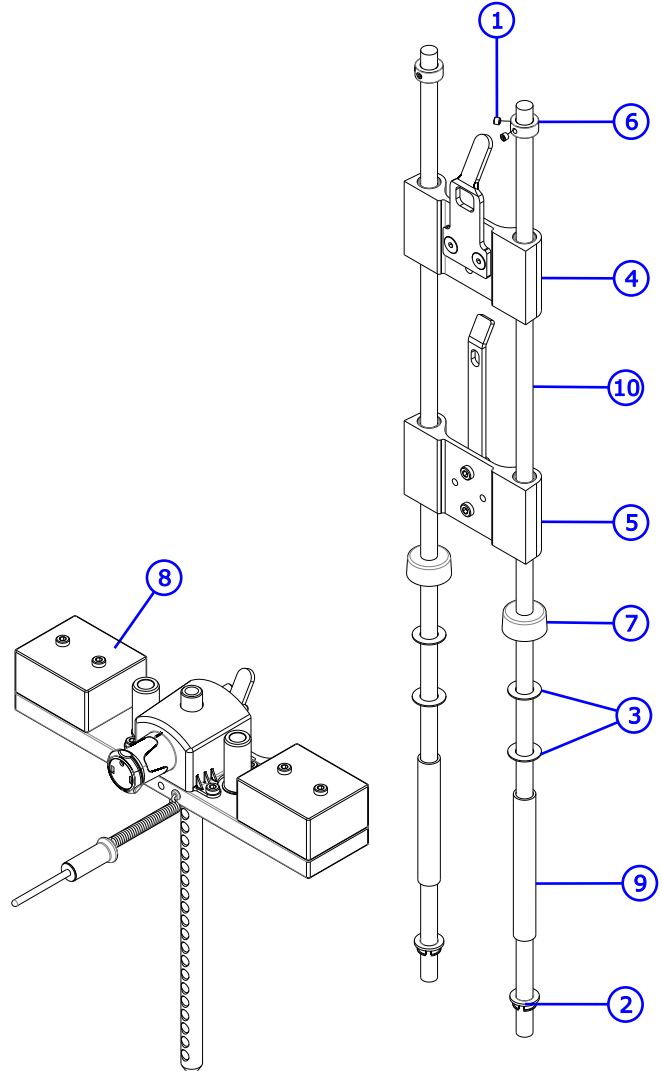
ITEM NO.	QTY.	PART NO.	DESCRIPTION
1	2	9236202	SCREW, M10 X1.5 25MM
2	2	9238601	M10X1.5 BLIND THREADED INSERT (HEX)
3	1	9430801	BRKT, INC WGT STRIKER
4	2	9455403	ASSY, DD INC WGT -YEL

# Insignia Series Seated Leg Curl C and X Trim Stack Components

## C Trim



## X Trim

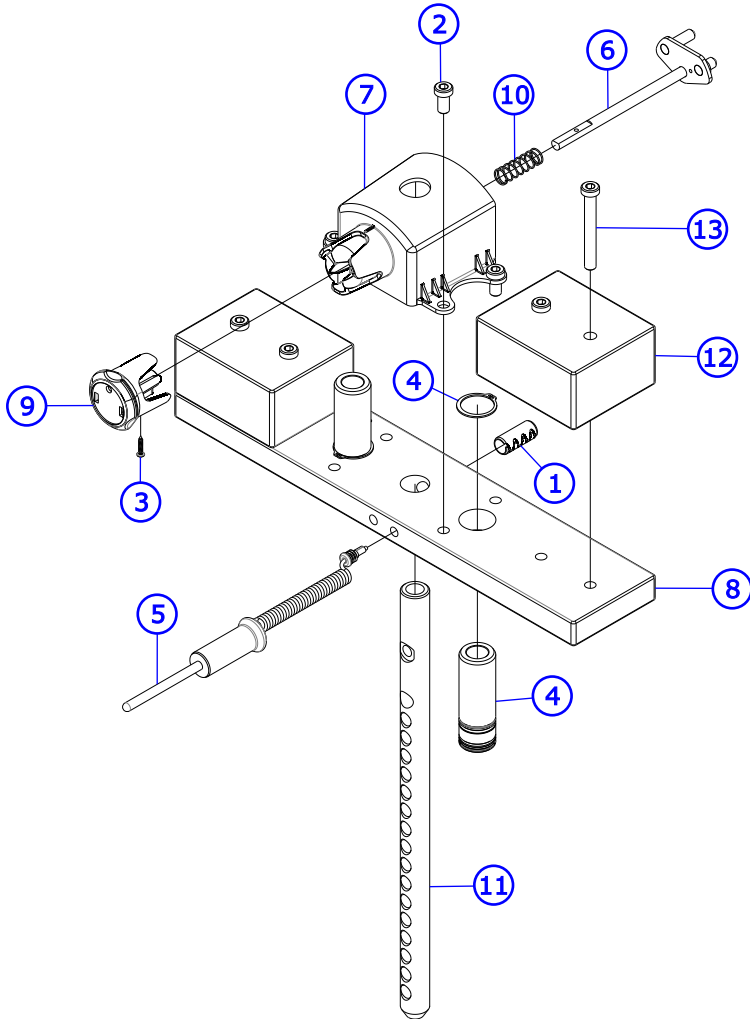


ITEM NO.	QTY.	PART NO.	DESCRIPTION
1	4	6242901	SCREW, SET BO
2	2	7337901	BUSHING, GUIDE ROD
3	4	7351001	SPACER, INC WT STACK
4	1	SEE PAGE 17	ASSY, INC WGT -5LB
5	1	SEE PAGE 17	ASSY, INC WGT -10LB
6	2	9462901	SHAFT COLLAR, 3/4 IN ID
7	2	7352101	CUSHION, WEIGHT STACK
8	1	SEE PAGE 16	ASSY, WTD HEAD PLATE, DIAL, STD -16
9	2	7328707	SPACER, INC WT STACK -9.63
10	2	7328612	GUIDE ROD, .75 OD SOLID X 50.36

ITEM NO.	QTY.	PART NO.	DESCRIPTION
1	4	6242901	SCREW, SET BO
2	2	7337901	BUSHING, GUIDE ROD
3	4	7351001	SPACER, INC WT STACK
4	1	SEE PAGE 17	ASSY, INC WGT -5LB
5	1	SEE PAGE 17	ASSY, INC WGT -10LB
6	2	9462901	SHAFT COLLAR, 3/4 IN ID
7	2	7352101	CUSHION, WEIGHT STACK
8	1	SEE PAGE 16	ASSY, WTD HEAD PLATE, DIAL, HVY -19
9	2	7328707	SPACER, INC WT STACK -9.63
10	2	7328612	GUIDE ROD, .75 OD SOLID X 50.36

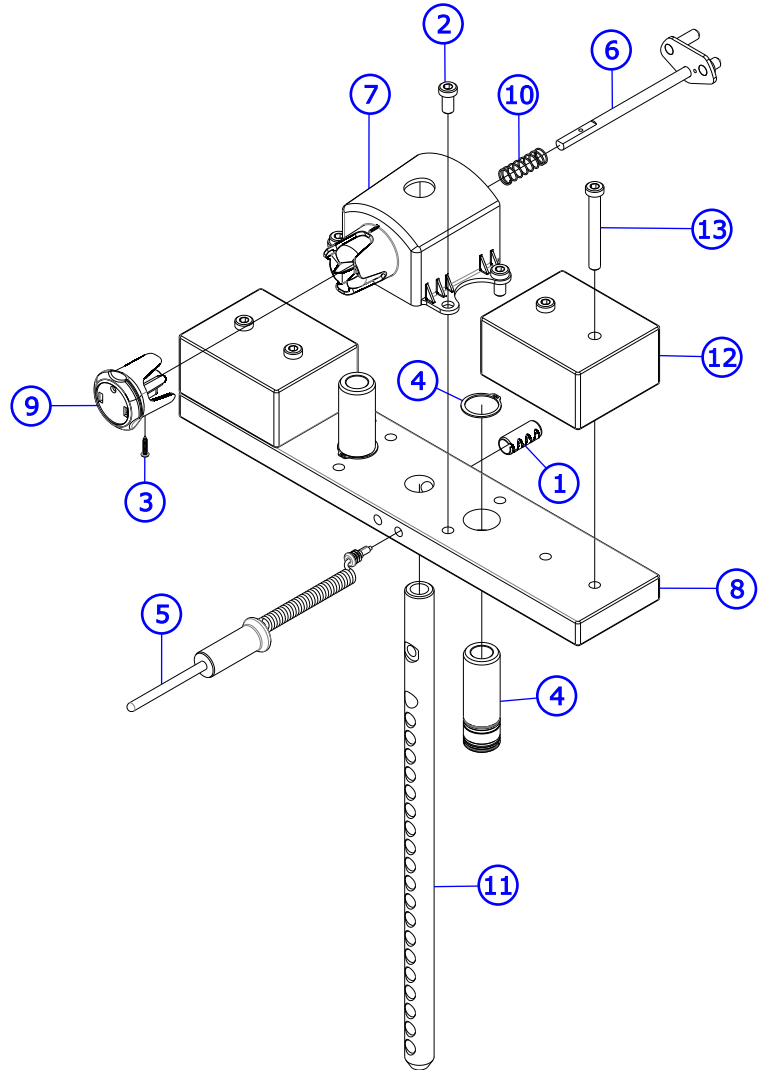
# Insignia Series Seated Leg Curl C and X Trim Head Plate Assemblies

## C Trim



ITEM NO.	QTY.	PART NO.	DESCRIPTION
1	1	3236001	BUSHING, SPRING PIN
2	4	3236201	SCREW, M10 X1.5 20MM
3	1	3275601	SCREW, 6 X 3/4 DIN PHL PAN AB ST ZB
4	2	9296001	BUSHING, HEADPLATE, LONG
5	1	9427003	ASSY, WGT STK SELECTOR PIN -YELLOW
6	1	9427501	WLDMT, INC WGT PIN
7	1	9430501	HSNG, INC WEIGHT
8	1	9431101	HEADPLATE, WT. STACK, 20LB
9	1	9443201	KNOB, INC WEIGHT
10	1	9443301	SPRING, INC WGT PIN
11	1	9434202	BAYONET, 16 PLATE
12	2	9433301	COUNTER WEIGHT, HEAD PLATE, 5LB
13	4	3236206	M10 X 1.5 X 45 SHCS, LOW HEAD

## X Trim



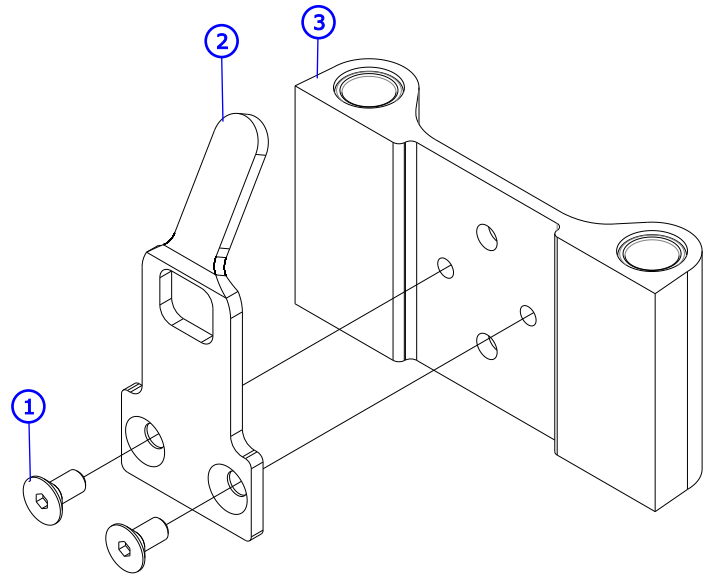
ITEM NO.	QTY.	PART NO.	DESCRIPTION
1	1	3236001	BUSHING, SPRING PIN
2	4	3236201	SCREW, M10 X1.5 20MM
3	1	3275601	SCREW, 6 X 3/4 DIN PHL PAN AB ST ZB
4	2	9296001	BUSHING, HEADPLATE, LONG
5	1	9427003	ASSY, WGT STK SELECTOR PIN -YELLOW
6	1	9427501	WLDMT, INC WGT PIN
7	1	9430501	HSNG, INC WEIGHT
8	1	9431101	HEADPLATE, WT. STACK, 20LB
9	1	9443201	KNOB, INC WEIGHT
10	1	9443301	SPRING, INC WGT PIN
11	1	9426002	BAYONET, 19 PLATE
12	2	9433301	COUNTER WEIGHT, HEAD PLATE, 5LB
13	4	3236206	M10 X 1.5 X 45 SHCS, LOW HEAD



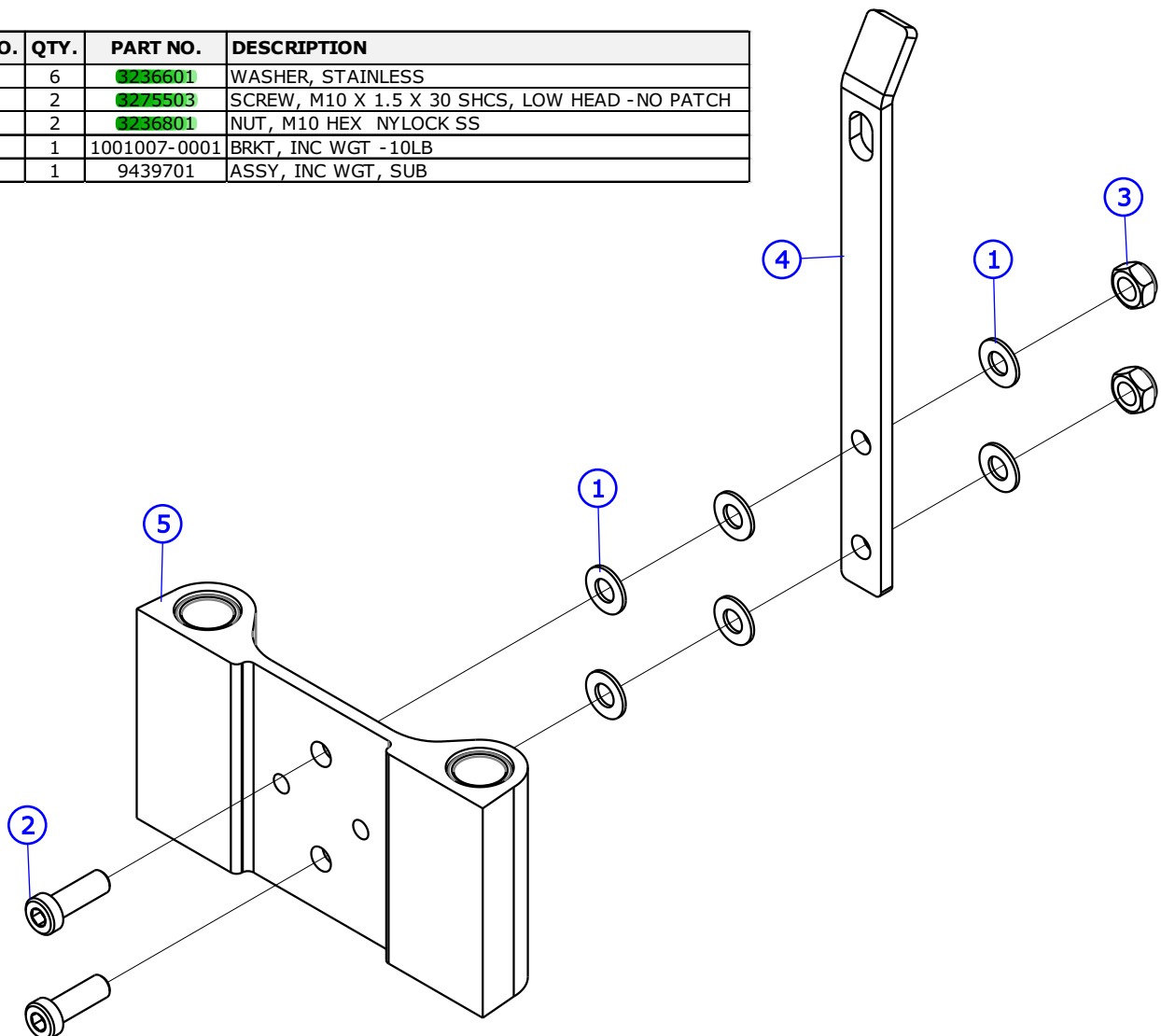
# Insignia Series Seated Leg Curl

## C and X Trim Incremental Weights

ITEM NO.	QTY.	PART NO.	DESCRIPTION
1	2	3238301	M10x1.5x20mm
2	1	9428201	BRKT, INC WGT -5 LB
3	1	9439701	ASSY, INC WGT, SUB

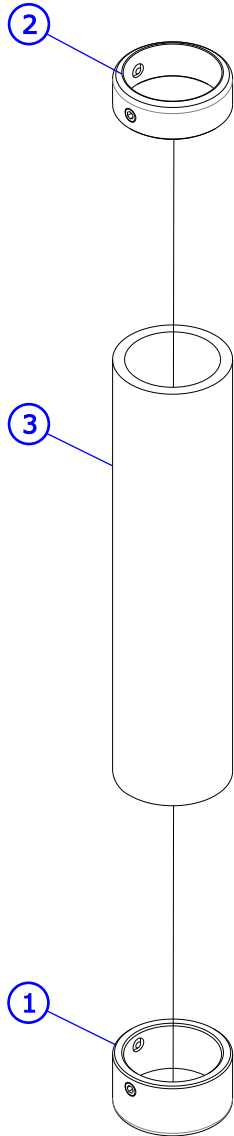


ITEM NO.	QTY.	PART NO.	DESCRIPTION
1	6	8236601	WASHER, STAINLESS
2	2	8275503	SCREW, M10 X 1.5 X 30 SHCS, LOW HEAD -NO PATCH
3	2	8236801	NUT, M10 HEX NYLOCK SS
4	1	1001007-0001	BRKT, INC WGT -10LB
5	1	9439701	ASSY, INC WGT, SUB



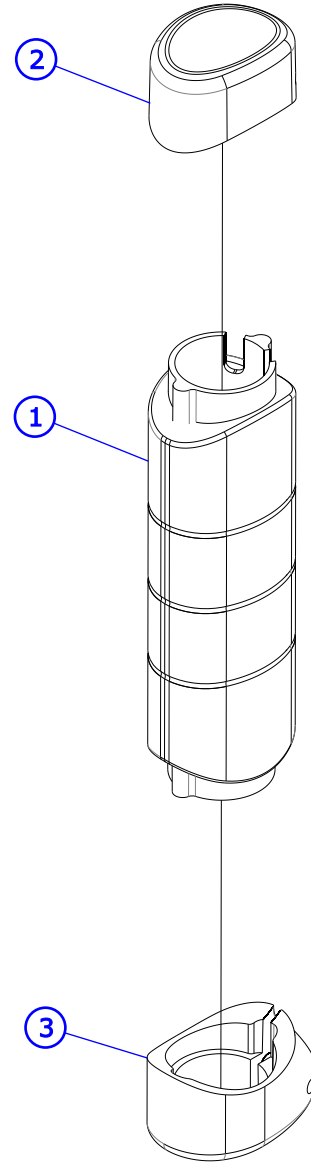
# Insignia Series Seated Leg Curl Grip Assemblies

## S Trim



ITEM NO.	QTY.	PART NO.	DESCRIPTION
1	1	7662901	CAP, GRIP 1.25 OD
2	1	7662801	RING, GRIP
3	1	6235806	GRIP, 1.25 OD X .125 WALL, OPEN END

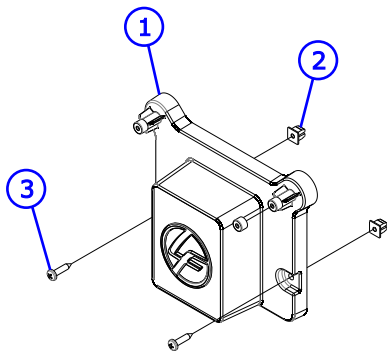
## L Trim



ITEM NO.	QTY.	PART NO.	DESCRIPTION
1	1	9453001	GRIP, ERGO, OVERMOLD
2	1	9498401	ASSY, CAP, GRIP
3	1	9498501	ASSY, COLLAR, ERGO GRIP

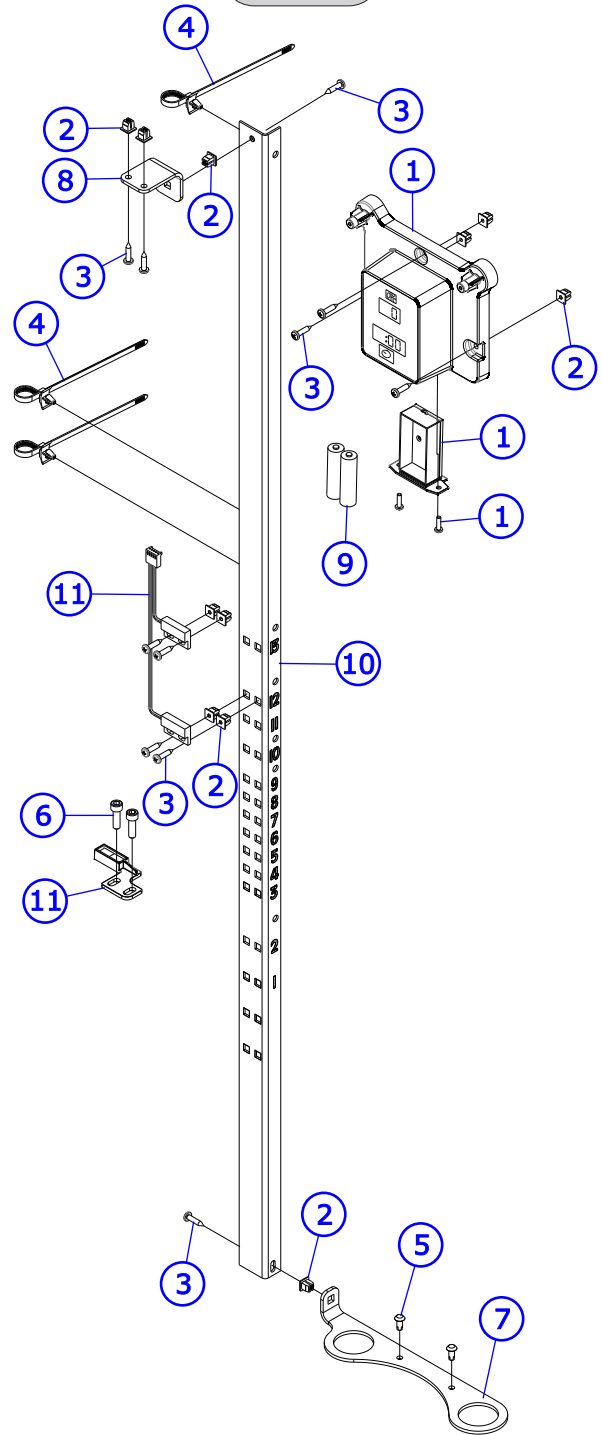
# Insignia Series Seated Leg Curl Sensor Assemblies

## S Trim



ITEM NO.	QTY.	PART NO.	DESCRIPTION
1	1	9437401	SS - ASSY, DISPLAY, BASE
2	12	900585-1147	GROMMET: SCREW; 8 OR 10
3	12	3275801	SCREW, 8 X 3/4 DIN PHL PAN AB ST ZB

## L Trim



ITEM NO.	QTY.	PART NO.	DESCRIPTION
1	1	9417701	ASSY, DISPLAY, COUNTER
2	11	900585-1147	GROMMET: SCREW; 8 OR 10
3	11	3275801	SCREW, 8 X 3/4 DIN PHL PAN AB ST ZB
4	3	3276101	GROMMET, CABLE TIE
5	2	9017-00101-1587	RVT 201X0413X.354 T NY NO
6	2	3241701	SCREW, M6 X1 20MM
7	1	9432728	BRKT, SS, SWITCH MNT -CHGR
8	1	9434828	BRKT, SS, SWITCH MNT
9	2	-	BATTERY, AA
10	1	9434628	BRKT, SS, SWITCH MNT, STD -CHR
11	1	900585-0001	ASSY, SS, PROX SWITCH/MAGNET